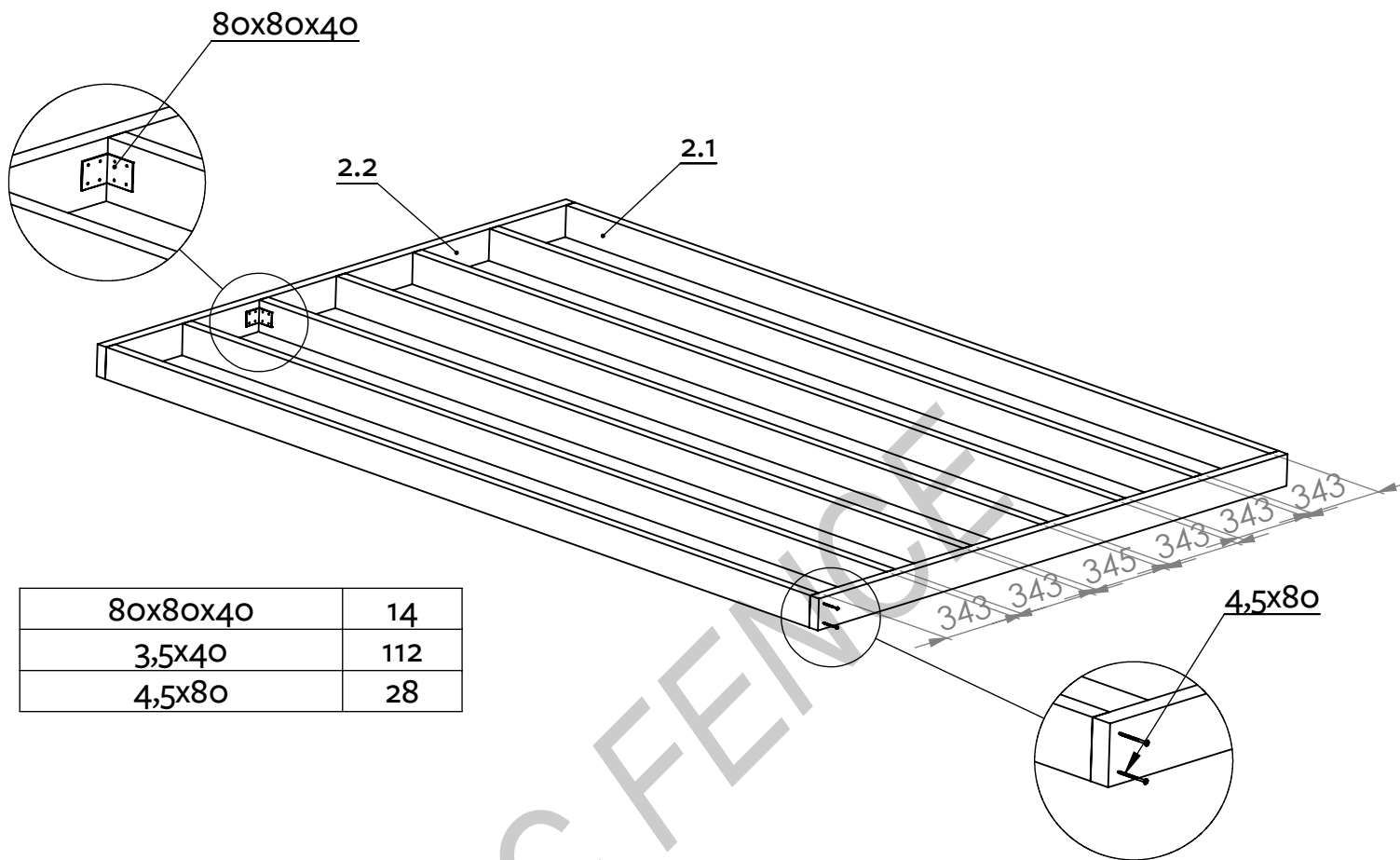
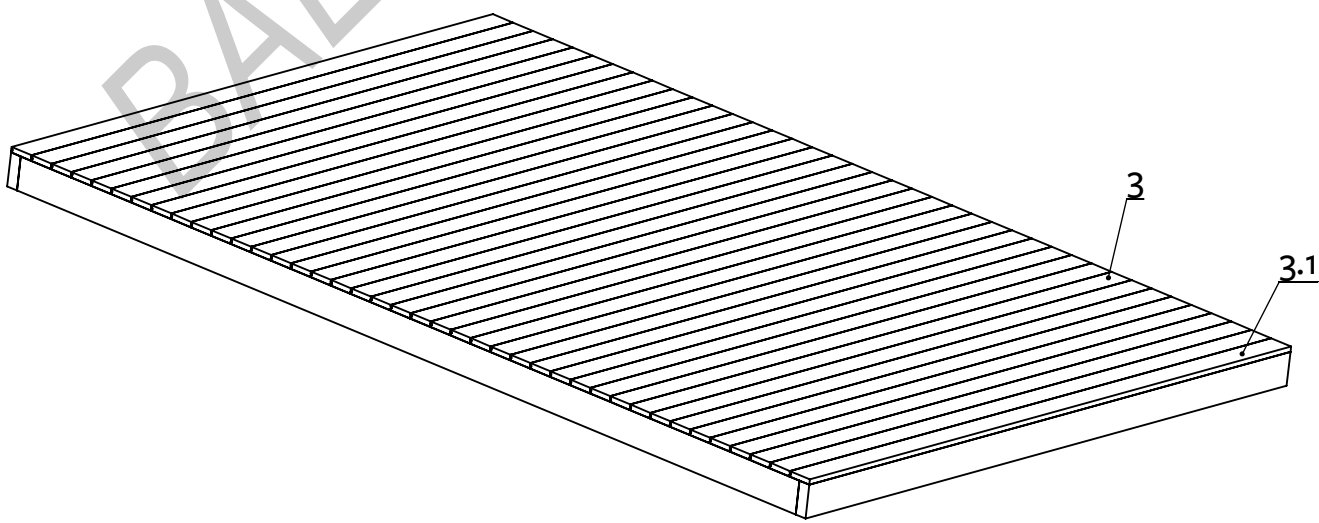


Packing list

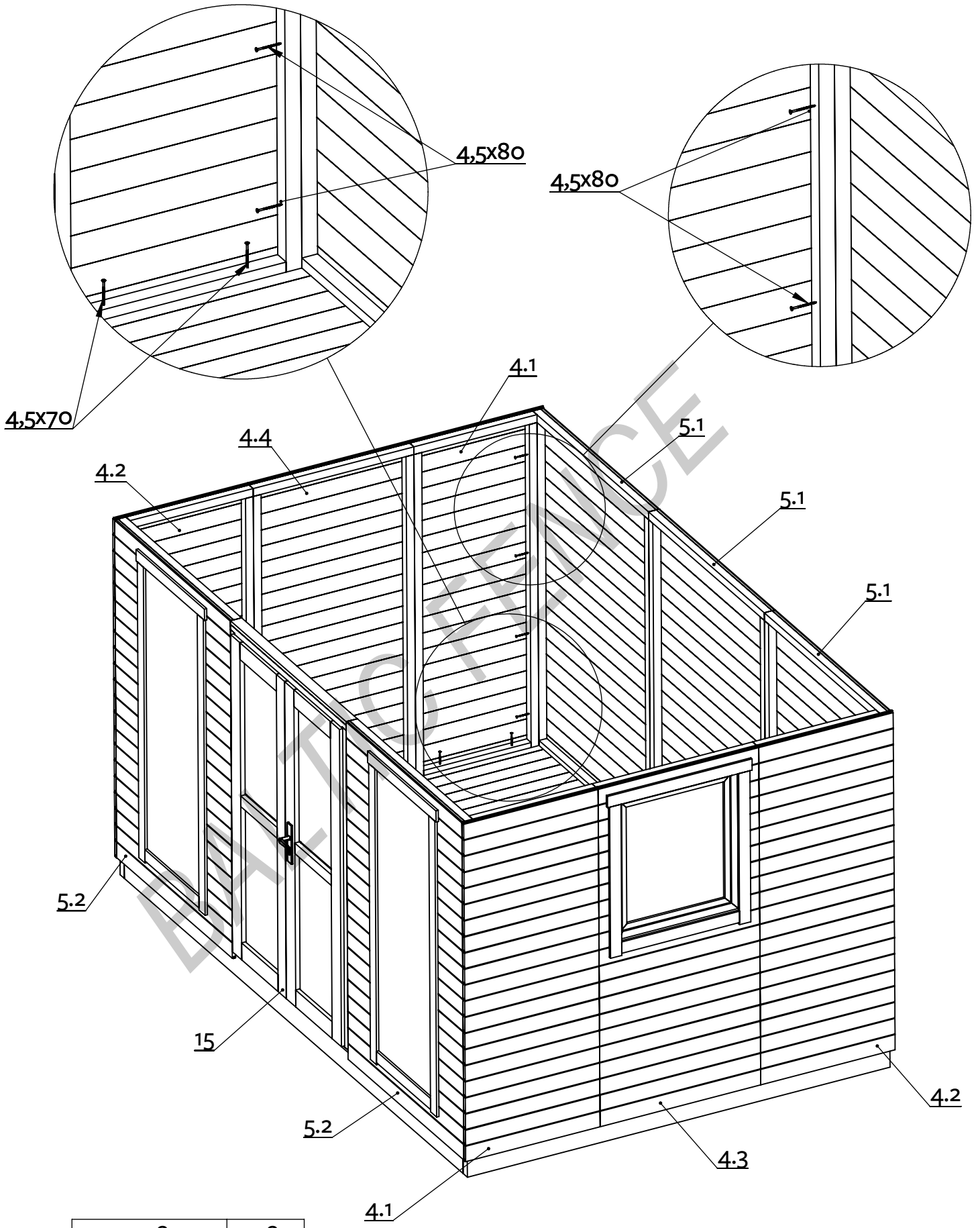
element no	element,s name	quantity	dimension	specify
2.1	bottom beam	7	44X120X3512	
2.2	bottom beam	2	44X120X2368	
3	floorboard	39	19X95X2368	
3.1	floorboard	1	19X90X2368	first
4.1	side wall right	2	753X1890	
4.2	side wall left	2	753X1890	
4.3	side wall with open window	1	900X1890	
4.4	side wall	1	900X1890	
5.1	back wall	3	1200X1890	
5.2	front wall with non open window	2	1200X1890	
7	inner arch support	6	455X2406	
8	outer arch support, covered	2	420X2406	with panel
9	roof board	1+1	19X60X3800	first/last
10	roof board	29	19X97X3800	
13.1	front and back walls cover slat	8	13X70X1846	
13.2	side walls edge cover slat	4	13X70X1942	end 37'
13.3	side walls middle cover slat	4	13X70X2260	end 15'
14	the upper feather key	4	28X44X1900	edge 37'
15	door	1	1200X1890	
16	arch	8	28X90X710	



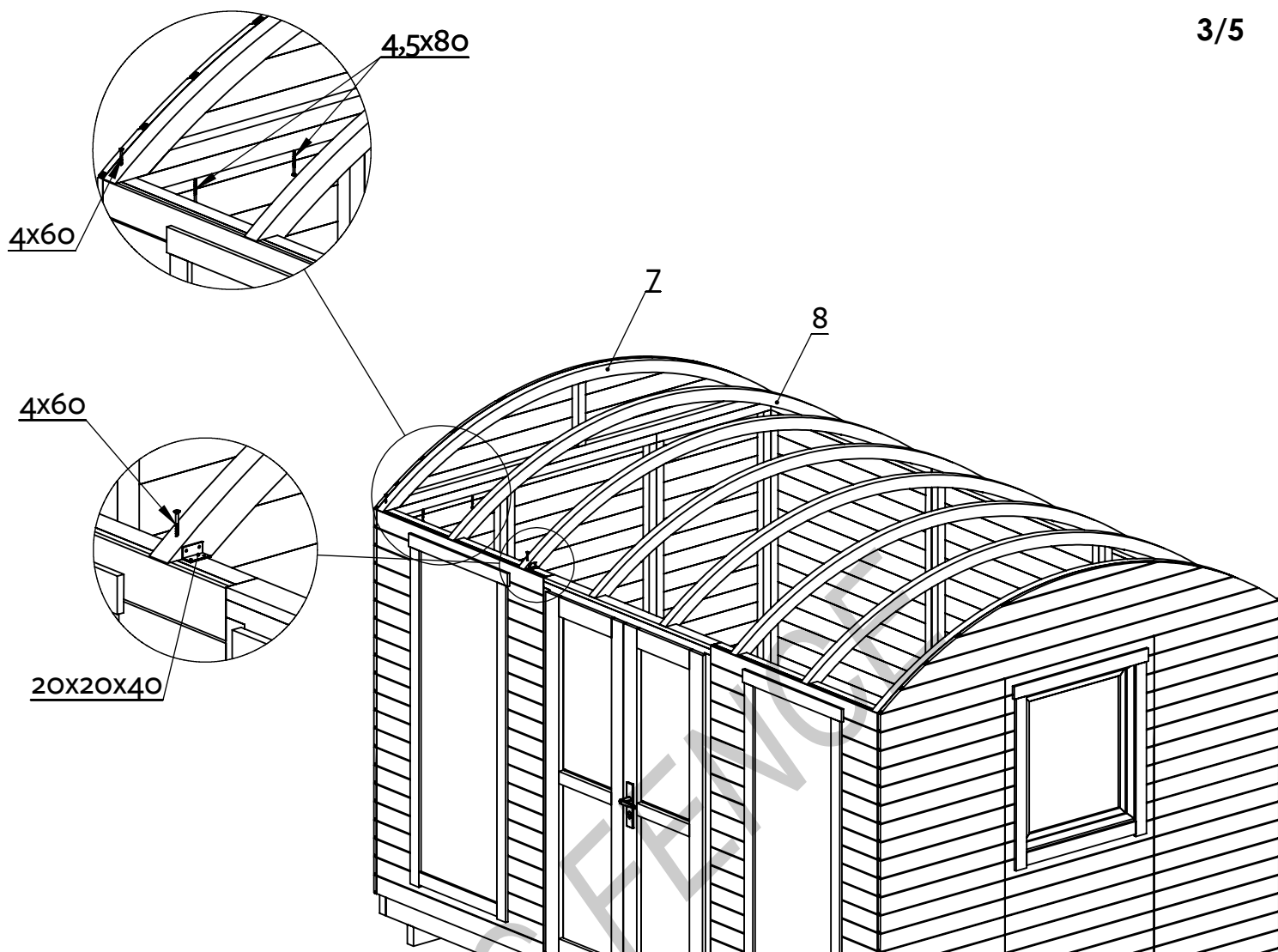
80x80x40	14
3,5x40	112
4,5x80	28



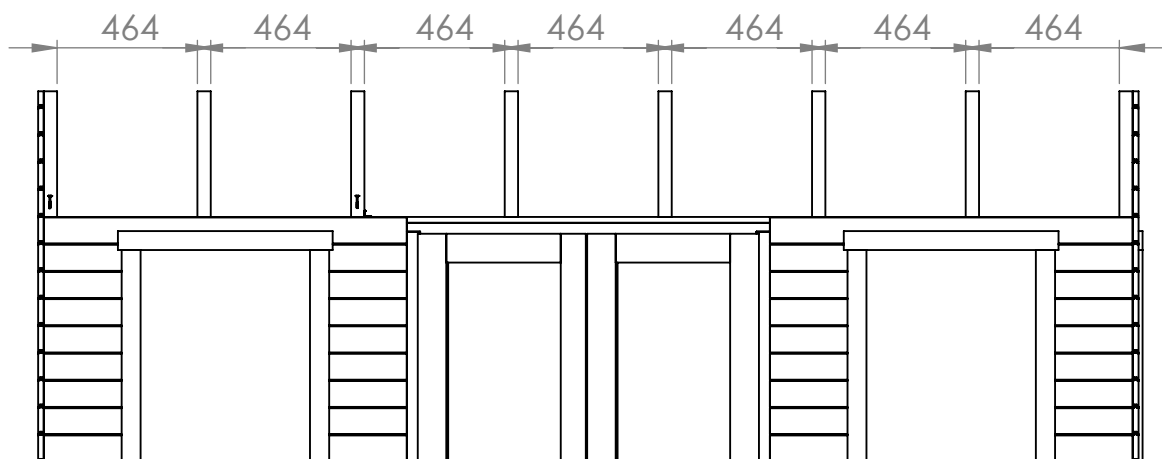
2x50	370
------	-----

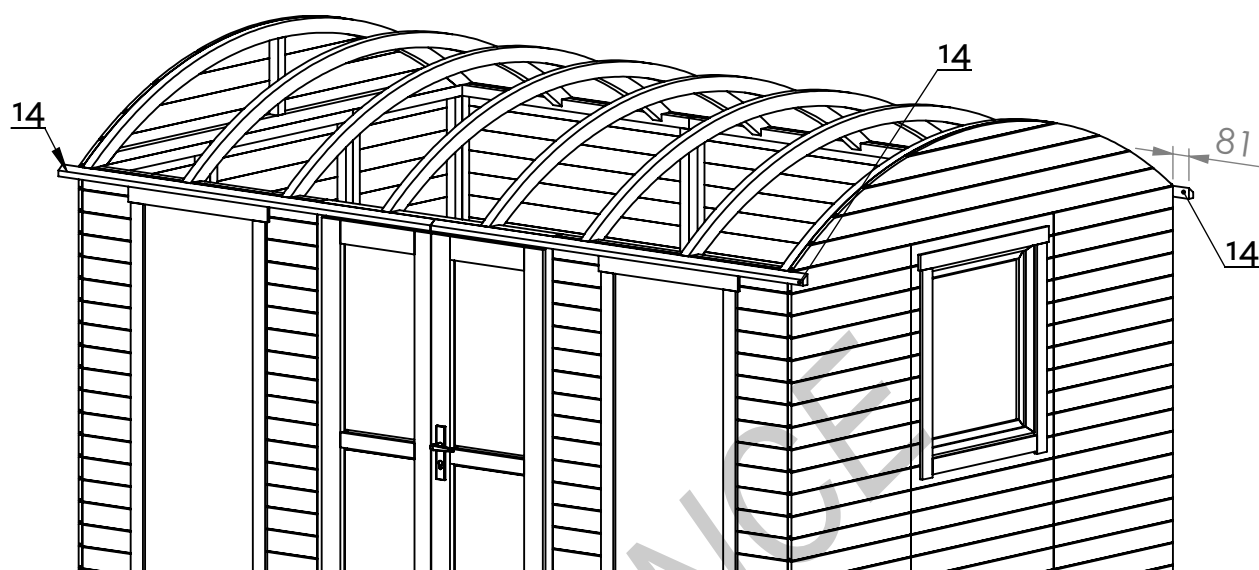


4,5x80	48
4,5x70	24

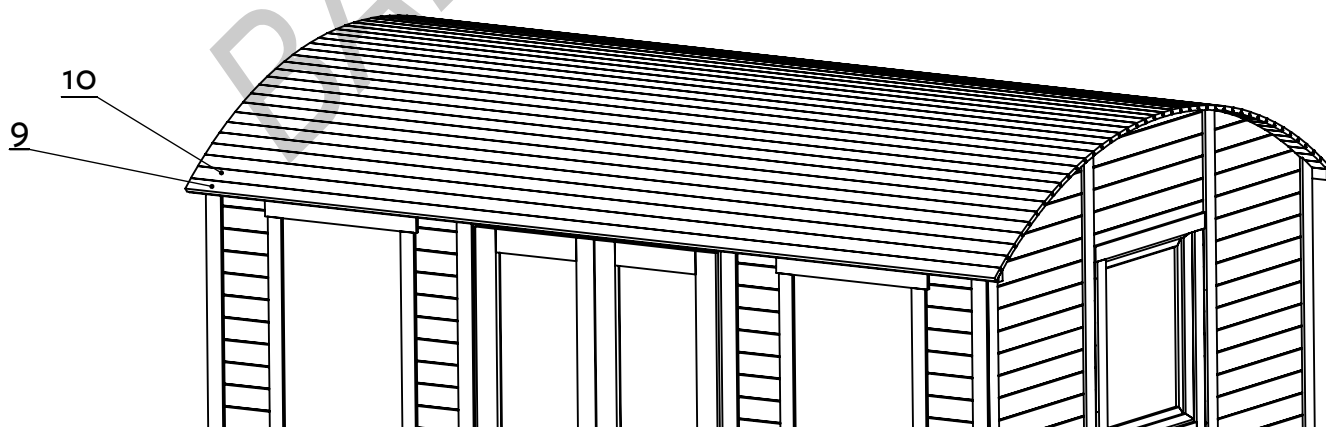


4,5x80	12
4x60	16
20x20x40	12
3,5x40	48





4,5x70	20
--------	----



3,5x40	24
nails 2x50	480

