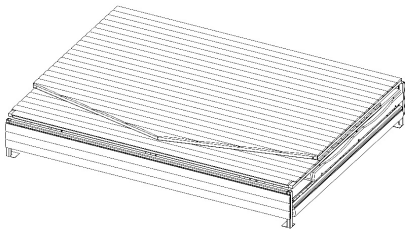
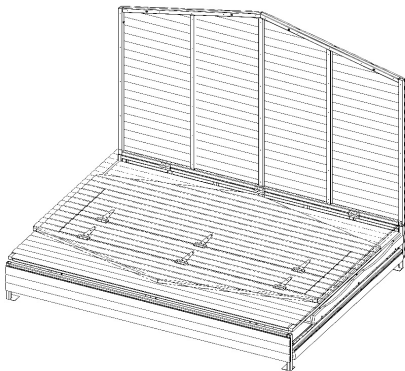


KIOSK ASSEMBLY

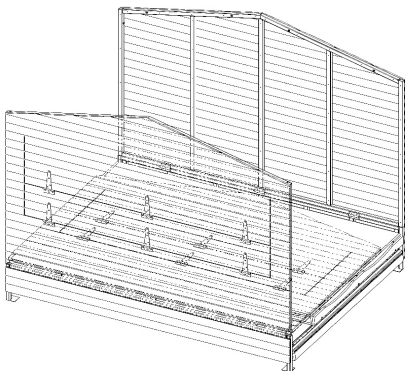
STEP 1: Place kiosk on a strong surface with enough room to walk around the Kiosk.



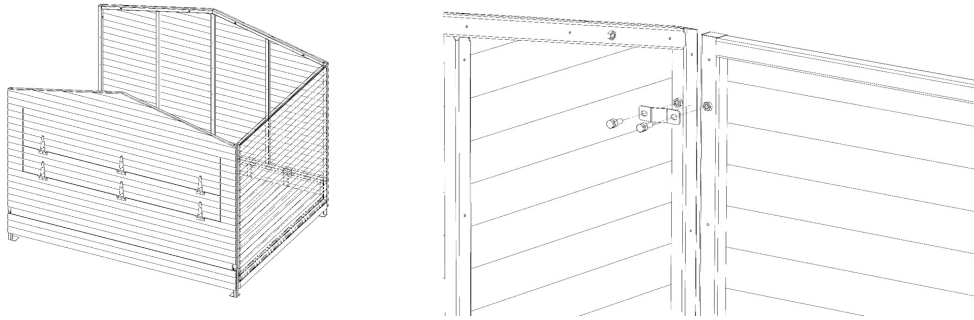
STEP 2: Lift up back wall and support it



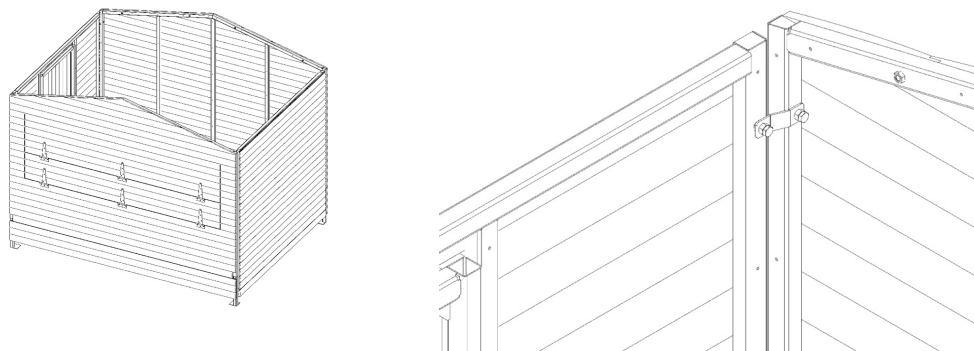
STEP 3: Lift up front wall and support it



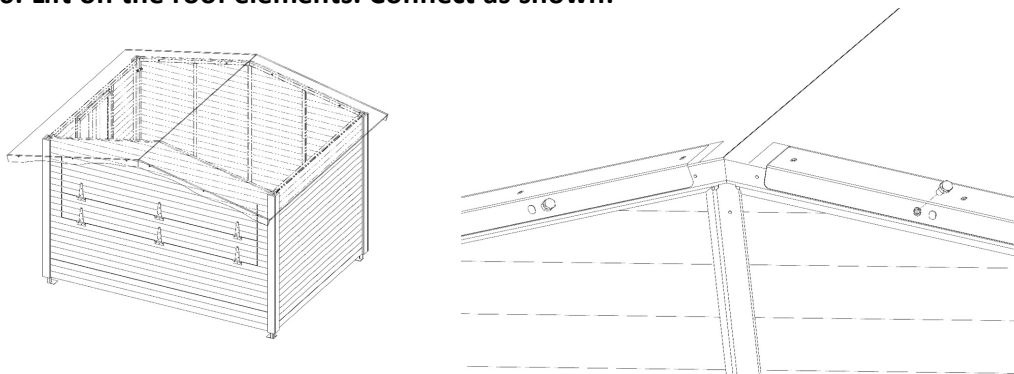
STEP 4: Lift up right side wall and connect the bolts as shown. Connect to Front wall and back wall.



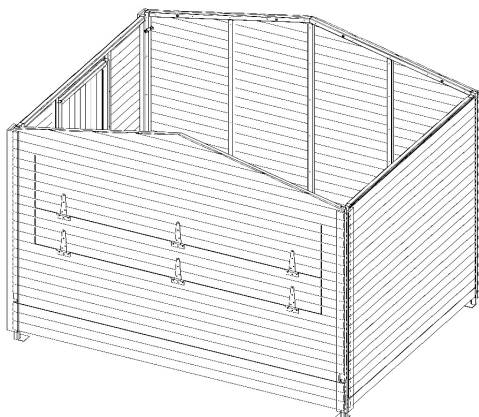
STEP 5: Lift up Left side wall and connect the bolts as shown. Connect to Front wall and back wall.



STEP 6: Lift on the roof elements. Connect as shown:



STEP 7: Attach the corner covers



STEP 8: Open hatch. Hatch opens outside. Fasten Hatch as shown.

